

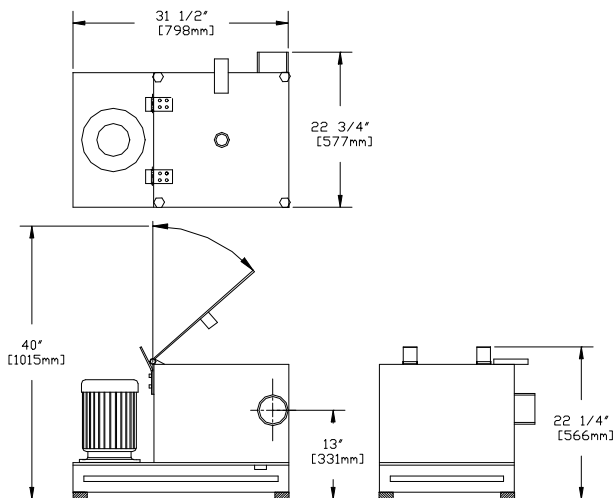
Filtration without media for industrial applications

The CF80 Microseparator™ is a manually cleaned, liquid-solid separator providing efficient and reliable cleaning of process water, machine tool coolants, or oil in a wide variety of industrial applications. The robust construction is ideally suited to the characteristics of abrasive solids such as glass, quartz, ceramics, carbide, and metals.

Process liquid is fed to the Microseparator™ rotor where the solids are centrifugally separated for easy removal via a reusable liner. Cleaning a full rotor only requires stopping the Microseparator™, opening the hinged cover, and removing the accumulated solids from the reusable liner.

The CF80 Microseparator™ is ideal for the customer wanting to integrate a manually cleaned centrifuge into a system or skid of their own design. We would be happy to consult with you to achieve the best possible integration.

We also offer a wide variety of skid modules and standard tank systems incorporating the CF50 or higher capacity CF80 series centrifuges.



technical data

Materials of Construction

- 304 SS enclosure
- aluminum rotor assembly optional 304 SS
- aluminum rotor liner optional 304SS

Process Capacity

- flow rate: 25 gpm (95 lpm)
- rotor volume: 3.5 gal (13.2 l)

Electrical

- 3 hp (2.2 kw) drive motor
- 110v cover limit switch or optional 24V DC electro-mechanical interlock

options & accessories

- electrical control panel including spare motor starter
- feed pump (per process requirements)
- spare rotor liner
- 304 SS rotor and liner assembly
- CE Mark available on request



SP0020 B