

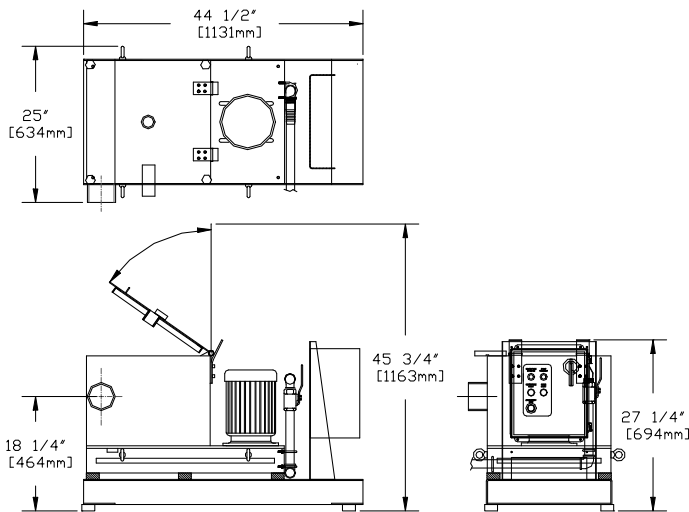
### Filtration without media for industrial applications

The CF85 SD Series Microseparator™ is a manually cleaned, liquid-solid separator module providing efficient and reliable cleaning of process water, machine tool coolants, or oil in a wide variety of industrial applications. The robust construction is ideally suited to the characteristics of abrasive solids such as glass, quartz, ceramics, carbide, and metals.

Process liquid is fed to the Microseparator™ rotor where the solids are centrifugally separated for easy removal via a reusable liner. Cleaning a full rotor only requires stopping Microseparator™, opening the hinged cover, and removing the accumulated solids from the reusable liner.

The CF85 SD Series Microseparator™ incorporates a mild steel support frame, manually cleaned Microseparator™, and an electrical control package incorporating starters for the centrifuge and optional feed pump. Easy to set up and install requiring only 3 phase power.

We also offer a wide variety of standard tank systems incorporating the CF50 or higher capacity CF80 series centrifuges.



### options & accessories

- integrated feed pump (per process requirements)
- castors, outlet piping hose, and power cord
- spare rotor liner
- 304 SS rotor and liner assembly
- CE mark available on request



### technical data

#### Materials of Construction

- 304 SS enclosure
- aluminum rotor assembly optional 304 SS
- aluminum rotor liner optional 304 SS
- mild steel support frame

#### Process Capacity

- flow rate: 25 gpm (95 lpm)
- rotor volume: 3.5 gal (13.2 l)

#### Electrical

- 3 hp (2.2 kw) drive motor
- NEMA 12 enclosure
- UL 508 A construction CE/CSA std available
- pump motor starter included
- 110v cover limit switch or optional 24V DC electro-mechanical interlock
- all 3 phase power configurations available

