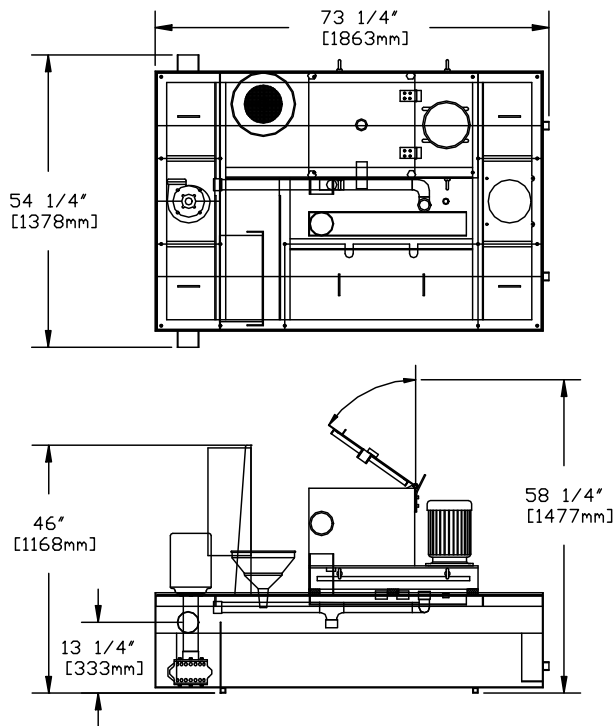


## CF 85-1-150 Manual Clean Centrifuge Tank System

A fully integrated fluid processing system that is built to suit your process requirements. The CF85 Series Microseparator™ is manually cleaned, liquid-solid separator providing efficient and reliable cleaning of process water, machine tool coolants, or oil in a wide variety of industrial applications. The robust construction is ideally suited to the characteristics of abrasive solids such as glass, quartz, ceramics, carbide, and metals. Ideal for machine tool OEM's.

Process liquid is fed to the Microseparator™ rotor where the solids are centrifugally separated for easy removal via reusable liners. Cleaning a full rotor only requires stopping the Microseparator™, opening the hinged cover, and removing the accumulated solids from the reusable liner.

The system can be designed to support full flow or bypass (side stream) requirements. Extensive customization is possible.



## options & accessories

- integrated feed pump(s) per process requirements
- automatic fluid makeup and additive metering
- refrigeration coil(s)
- 304 SS rotor and liner assemblies
- spare rotor liner
- electrical integration with remote machinery or processes
- CE Mark available on request

## technical data

### Materials of Construction

- 304 SS centrifuge enclosure
- aluminum rotor assembly  
optional 304 SS
- aluminum rotor liner  
optional 304 SS
- mild steel tank  
optional 304 SS

### Process Capacity

- flow rate: 25 gpm (95 lpm)
- total rotor vol.: 3.5 gal (13.2l)
- tank vol.: 150 gal (568 l)

### Electrical

- 2 x 3 hp (2.2 kw) drive motor
- pumps & peripherals to suit
- UL 508 A construction  
CE/CSA std available
- operators for all system devices
- 110v cover limit switch or  
optional 24V DC electro-  
mechanical interlock
- all 3 phase power  
configurations available

