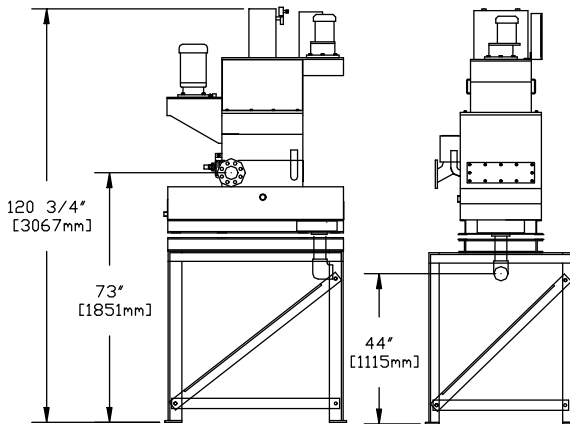
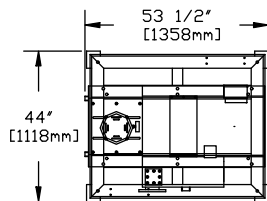


CF 155G Self Cleaning Centrifuge

The CF155G Microseparator™ is a fully automated, self-cleaning, liquid-solid separator providing efficient and reliable cleaning of process water, machine tool coolants, or oil in a wide variety of industrial applications. The robust construction is ideally suited to the characteristics of abrasive solids such as glass, quartz, ceramics, carbide, and metals.

Process liquid is fed to the Microseparator™ rotor where the solids are centrifugally separated. Solids are discharged automatically through the bottom of the machine into drum or collection bin. The cleaning sequence occurs without operator intervention and can be programmed to suit the characteristics of the customer's process via the system PLC.

The self-cleaning CF155G is ideal for integration into existing fluid processing systems or can be supplied as part of a complete system built to suit the requirements of your process.



Typical dimensions for placement over 55 gallon solids collection drum

technical data

Materials of Construction

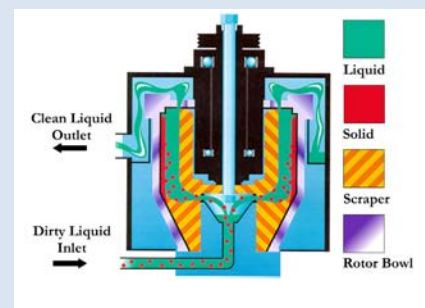
- enclosure: 304 SS
- rotor: aluminum
- scraper: carbon steel
- bearing housing: cast iron
- optional 304SS rotor assembly

Process Capacity

- flow rate: 50 gpm (190 lpm)
- rotor volume: 6 gal (22.7l)

Electrical

- 5 HP (3.7 kw) drive motor
- 1 HP (.75 kw) gear motor
- Allen-Bradley PLC system electrical controls
- UL 508 A construction CE/CSA std available
- pump motor starter included
- all 3 phase power configurations available



options & accessories

- 304 SS rotor, scraper, and bearing housing
- customization of PLC system controls to suit requirements
- feed pump per process requirements
- complete fluid processing systems (tank, pumps, etc)
- CE Mark available on request

SP0030 B