

Chip Separator Assembly - Triple

**CHIP SEPARATOR ASSEMBLY Triple**

Chip separation system for use with Pump Station or Pump Station Low Profile and Microseparator®, HC3, or HC6 systems. Allows collection of chip and tape debris remote from the generator when connected to a Pump Station for optimum use of surfacing laboratory space. Chip debris is discharged automatically to customer supplied debris bins.

Working range: Three generators (requires three Pump Stations)

**Includes**

Chip Separators (3) with pneumatically actuated chip clearing armatures, internal perforate 304SS screen, and hinged cover.

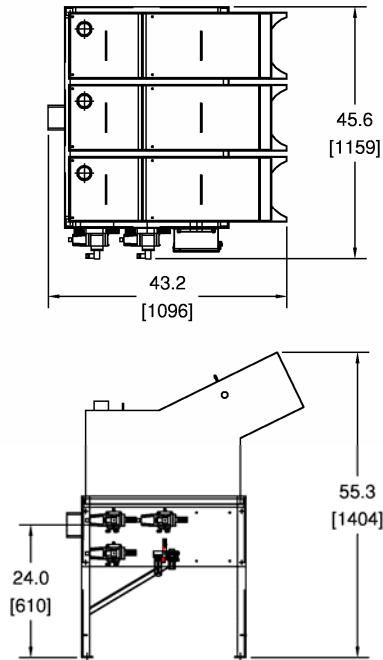
Structural mounting platform with integral drain pan

Pneumatic control package (solenoid, filter, and regulator)

All 304 SS construction



**Dimensions**



**Utility Requirements**

**Chip Separator Triple**

**Power:**

Powered from Microseparator® system

**Compressed Air:**

60 PSI @ 1 SCFM  
4.2 bar @ 28 l/m

**Note to dimension drawing at left:**

**For Microseparator® HC6, version:**

**Assembly height increases to 70.6" (1794mm)**

**Drain height increases to 38.5" (978mm)**