

CF51 Manually Cleaned Centrifuge with Self-Draining Rotor

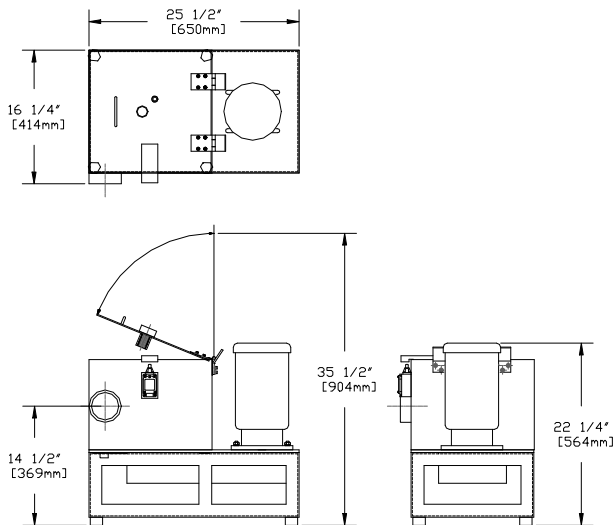
Filtration without media for industrial applications

The CF51 Microseparator™ is a manually cleaned, liquid-solid separator providing efficient and reliable cleaning of machining oil.

Process liquid is fed to the Microseparator™ rotor where the solids are centrifugally separated for easy removal. Cleaning a full rotor only requires stopping the Microseparator™ opening the hinged cover, and removing the accumulated solids from the rotor. Oil contained in the rotor drains by gravity back to the customer process vessel once the rotor stops. The self-draining rotor assembly can be used with a disposable paper liner or no liner at all.

The CF51 Microseparator™ is ideal for the customer wanting to integrate a manually cleaned centrifuge into a system or skid of their own design. We would be happy to consult with you to achieve the best possible integration.

We also offer a wide variety of skid modules and standard tank systems incorporating the CF50, CF51, or higher capacity CF80 series centrifuges.



options & accessories

- electrical control panel including spare motor starter
- feed pump (per process requirements)
- paper rotor liners
- CE Mark available on request

technical data

Materials of Construction

- 304 SS enclosure
- aluminum rotor assembly

Process Capacity

- flow rate: 12 gpm (45 lpm)
- rotor volume: 1.75 gal (6.6 l)

Electrical

- 2 hp (1.5 kw) drive motor
- 110v cover limit switch or optional 24V DC electro-mechanical interlock

