

COMPACTOR ASSEMBLY TRIPLE

Chip compacting and dewatering system for use with Pump Station or Pump Station Low Profile and HC3, or HC6 systems. Allows collection and compaction of chip and tape debris remote from the generator for optimum use of surfacing laboratory space. Chip debris is discharged automatically to customer supplied debris bins or belt conveyor. Compacted material density varies as a function of lens material.

Working range: Three generators – organic materials only
Requires 3 Pump Stations or 3 Pump Station Low Profile
Must not be directly connected to generator outlet.

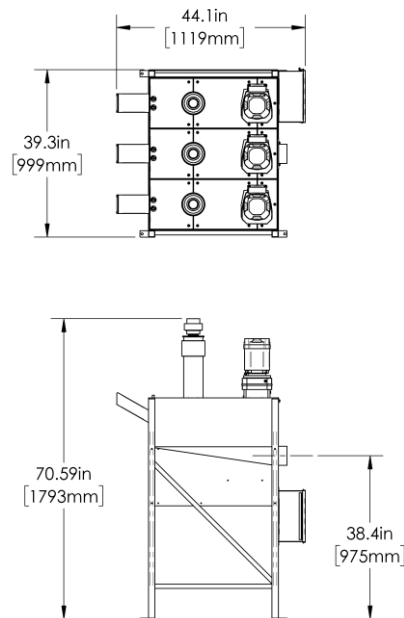
Includes

Compactor assemblies (3) including ¼ HP (.5kW) motor driven gearbox, mechanical press components, 304SS screen, safety sheet metal surround with viewing window and internal lighting. Structural mounting platform with integral drain pan
Motor controller for compactors (power from Microseparator® system)

For retrofits of Chip Separator Assemblies to Compactor Assemblies on existing installations contact Bazell Technologies or your Satisloh sales engineer. See notes re Pump Stations.



Dimensions



Utility Requirements

Compactor (3X)

Power: (from Microseparator® System Control Panel)
208V, 15A, 60 HZ, 3 phase
400V, 15A, 50 HZ, 3 phase